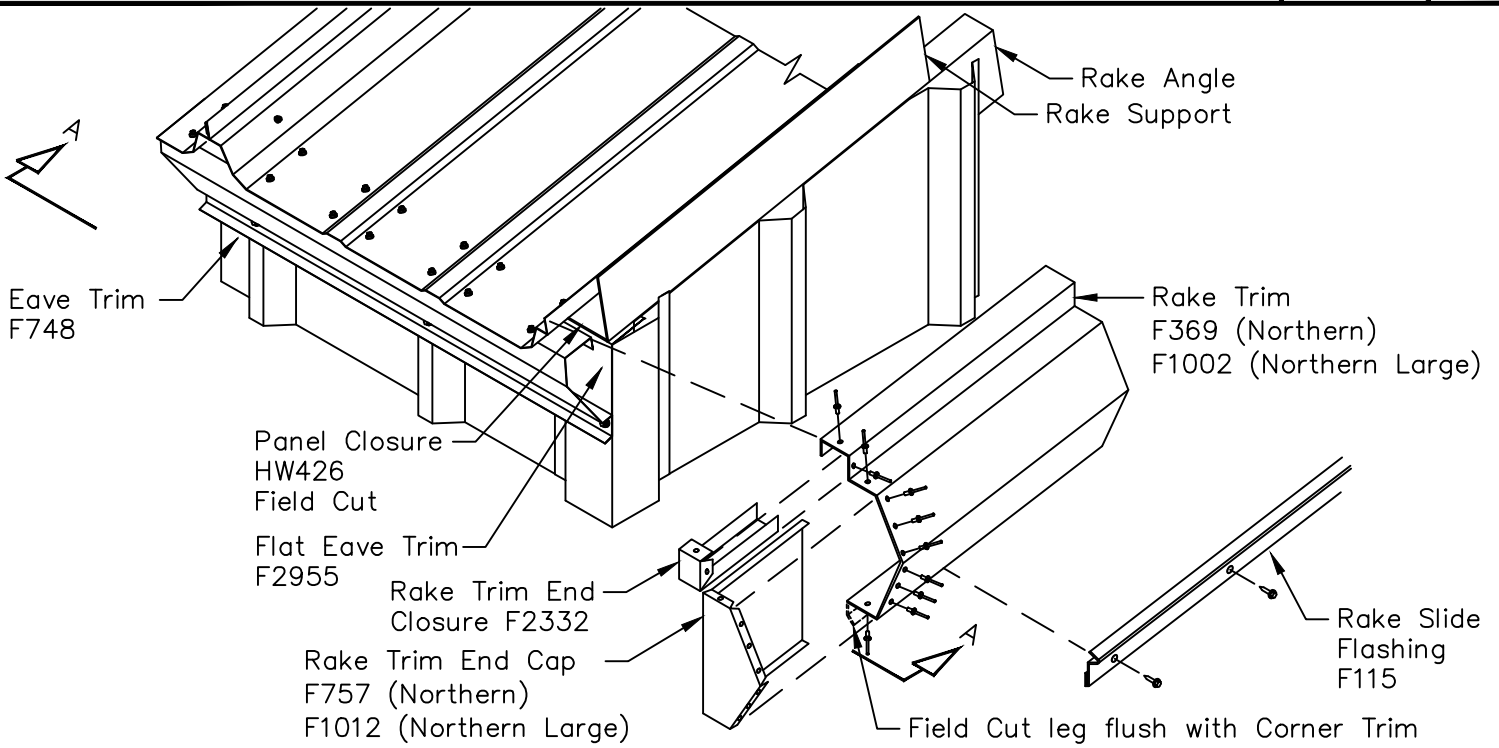
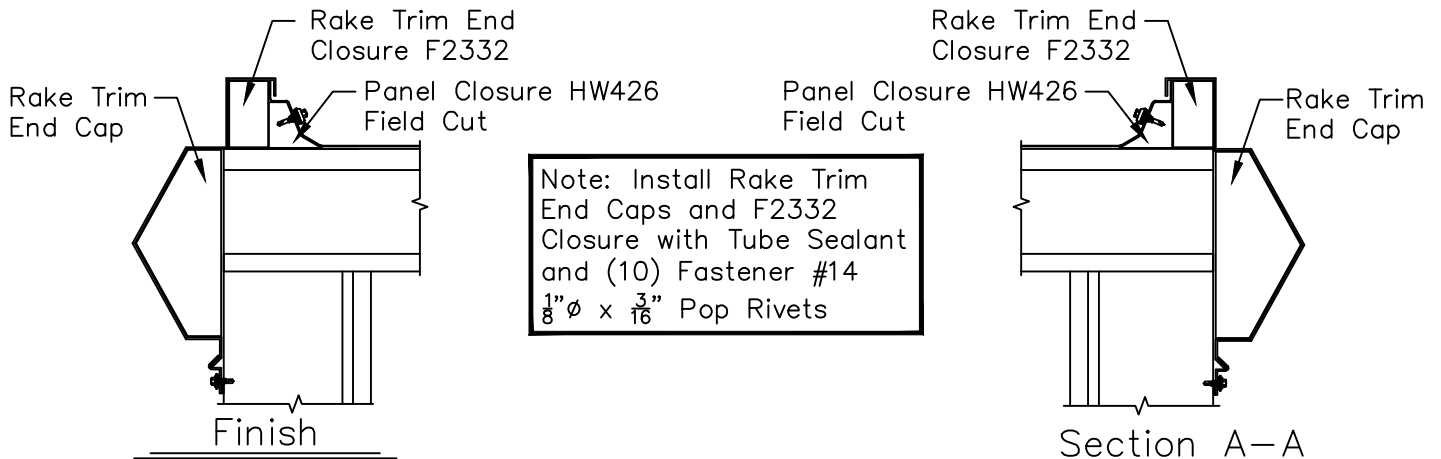


Low Eave Rake Corner with Sculptured Eave Trim - 1 1/4" Wall Panel



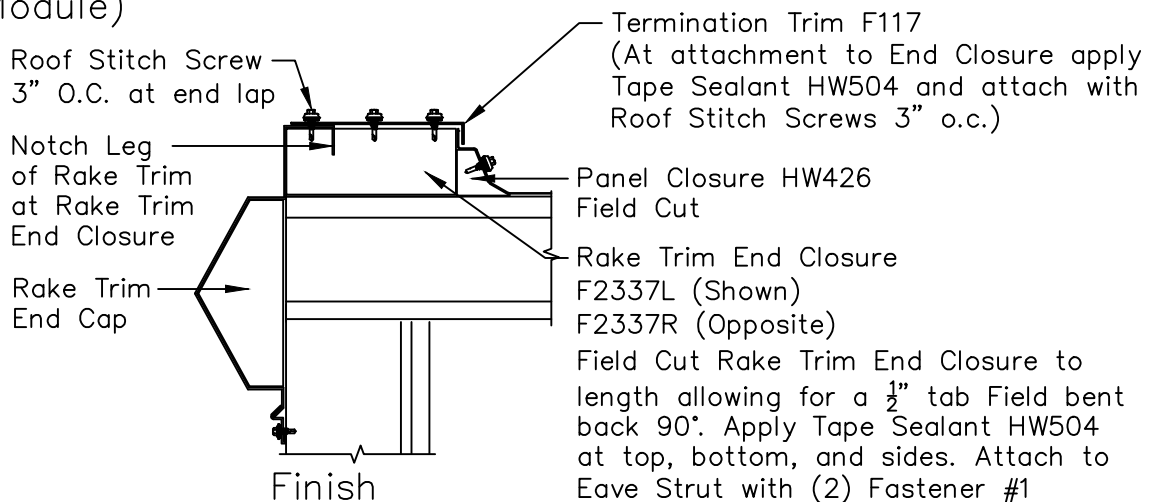
Rake Trim End Cap Installation



Note: Install Rake Trim End Caps and F2332 Closure with Tube Sealant and (10) Fastener #14 1"  $\phi$  x 3/16" Pop Rivets

Finish  
(On Module)

Section A-A



Finish  
(Off Module)

Termination Trim F117  
(At attachment to End Closure apply Tape Sealant HW504 and attach with Roof Stitch Screws 3" o.c.)

Field Cut Rake Trim End Closure to length allowing for a 1/2" tab Field bent back 90°. Apply Tape Sealant HW504 at top, bottom, and sides. Attach to Eave Strut with (2) Fastener #1